

ORDINANCE NO. 1152

AN ORDINANCE OF THE CITY OF LAKE WORTH, TEXAS AMENDING CHAPTER 5 "FIRE PREVENTION AND PROTECTION" OF THE LAKE WORTH CODE OF ORDINANCES, REPEALING ARTICLE 5.400 "FIRE CODE", BY REPEALING AND REPLACING IT WITH A NEW ARTICLE 5.400 ENTITLED "INTERNATIONAL FIRE CODE ADOPTED," AND BY ADOPTING THE 2018 EDITION OF THE INTERNATIONAL FIRE CODE; REPEALING ALL CONFLICTING ORDINANCES; PROVIDING A PENALTY NOT TO EXCEED \$2,000.00 FOR EACH VIOLATION; PROVIDING FOR A SAVINGS CLAUSE; PROVIDING FOR A SEVERABILITY CLAUSE; PROVIDING FOR PUBLICATION IN THE OFFICIAL NEWSPAPER; AND PROVIDING AN EFFECTIVE DATE.

WHEREAS, the City of Lake Worth, Texas (the "City") is a Home Rule City acting under its charter adopted by the electorate pursuant to Article 11, Section 5 of the Texas Constitution and Chapter 9 of the Texas Local Government Code; and

WHEREAS, a new edition of the *International Fire Code* ("IFC") is produced every three (3) years, and the 2018 Edition of the IFC has recently been issued by the International Code Council ("ICC"); and

WHEREAS, the International Conference of Building Officials ("ICBO") in conjunction with the ICC have developed the International Fire Code, and in addition it is reviewed by the Regional Codes Coordinating Committee of the North Central Texas Council of Governments ("NCTCOG"); and

WHEREAS, the City's IFC is intended to be updated periodically, and the 2018 edition of the IFC is the most current published fire code at this time; and

WHEREAS, the adoption of the 2018 Edition of the IFC, including local amendments, will provide the most current life safety applications with respect to construction, occupancy, use and maintenance of buildings and structures in the City; and

WHEREAS, the current fire code in the City is the 2012 edition of the IFC, and the City's fire code should be updated to the most current published code available; and

WHEREAS, the City Council of the City of Lake Worth, Texas, has determined that it is in the best interest of the citizens of the City of Lake Worth to update and adopt the 2018 edition of the IFC the minimum standard for the continued construction, occupancy, use and maintenance of buildings and structures in the City, as set forth herein and as the code specifically modified by the ordinance.

NOW, THEREFORE, BE IT ORDAINED BY THE CITY COUNCIL OF THE CITY OF LAKE WORTH, TEXAS:

SECTION 1.

The above and foregoing premises are true and correct and are incorporated herein and made a part hereof for all purposes:

SECTION 2.

All ordinances and provisions of the City of Lake Worth, Texas that are in conflict with this ordinance shall be and the same are hereby repealed, and all ordinances and provisions of ordinances of said City not so repealed are hereby retained in full force and effect.

SECTION 3.

From and after the effective date of this ordinance, Article 5.400 Fire Code, Section(s) 5.401 through 5.403, of the Code of Ordinances of the City of Lake Worth, entitled "Adopted," "Amended," and "Public Record" are hereby repealed and replaced with a new Article 5.400 Fire Code, Section 5.401 entitled "International Fire Code Adopted," to read as follows":

Sec.5.401

International Fire Code Adopted

The IFC, 2018 edition, a copy of which is on file with the City Secretary, is hereby adopted and designated as the fire code of the city the same as though the provisions, of the IFC, 2018 edition, were copied at length in this section, subject to and modified by amending only the enumerated sections and provisions, as follows, and all sections and provisions not expressly amended or deleted shall remain in full force and effect. Where an amendment is not clear or is silent regarding a certain requirement, the requirements of the IFC, 2018 edition, shall be met.

(1) Section 102.1 of the IFC, 2018 edition is hereby amended to read as follows:

3. Existing structures, facilities, and conditions when required in Chapter 11 or in specific sections of this code.

(2) Section 105.3.3 of the IFC, 2018 edition is hereby amended to read as follows:

105.3.3 Occupancy Prohibited before Approval. The building or structure shall not be occupied prior to the fire code official issuing a permit when required and conducting associated inspections indicating the applicable provisions of this code have been met.

- (3) Section 105.4.1 of the IFC, 2018 edition is hereby amended to read as follows:

Section 105.4.1 Submittals. All construction and remodel submittals shall have a life safety page including but not limited to the following:

- Egress travel distances
- Exit Signs
- Egress illumination (emergency lighting)
- Required exit width
- Exit door hardware list.

Exception:

The *fire code official* may waive this requirement.

- (4) Section 105.7 of the IFC, 2018 edition is hereby amended to add Subsection 105.7.26 read as follows:

105.7.26 Electronic access control systems. Construction permits are required for the installation or modification of an electronic access control system, as specified in Chapter 10. A separate construction permit is required for the installation or modification of a fire alarm system that may be connected to the access control system. Maintenance performed in accordance with this code is not considered a modification and does not require a permit. A Fire Department Electronic Access Device is required to be issued to the fire department.

- (5) Section 202 of Definition(s) of the IFC, 2018 edition is hereby amended and adds definitions to read as follows:

[B] AMBULATORY CARE FACILITY. Buildings or portions thereof used to provide medical, surgical, psychiatric, nursing, or similar care on a less than 24-hour basis to persons who are rendered incapable of self-preservation by the services provided or staff has accepted responsibility for care recipients already incapable. This group may include but not be limited to the following:

- Dialysis centers
- Procedures involving sedation
- Sedation dentistry
- Surgery centers
- Colonic centers
- Psychiatric centers

[B] ATRIUM. An opening connecting three or more stories...
{remaining text unchanged}

[B] DEFEND IN PLACE. A method of emergency response that engages building components and trained staff to provide occupant safety during an emergency. Emergency response involves remaining in place, relocating within the building, or both, without evacuating the building.

FIRE WATCH. A temporary measure intended to ensure continuous and systematic surveillance of a building or portion thereof by one or more qualified individuals or *standby personnel* when required by the *fire code official*, for the purposes of identifying and controlling fire hazards, detecting early signs of unwanted fire, raising an alarm of fire and notifying the fire department.

FIREWORKS. Any composition or device for the purpose of producing a visible or an audible effect for entertainment purposes by combustion, *deflagration*, *detonation*, and/or activated by ignition with a match or other heat producing device that meets the definition of 1.3G fireworks or 1.4G fireworks. ... *{Remainder of text unchanged}* ...

HIGH-PILED COMBUSTIBLE STORAGE: add a second paragraph to read as follows:

Any building classified as a group S Occupancy or Speculative Building exceeding 6,000 sq. ft. that has a clear height in excess of 14 feet, making it possible to be used for storage in excess of 12 feet, shall be considered to be high-piled storage. When a specific product cannot be identified, a fire protection system and life safety features shall be installed as for Class IV commodities, to the maximum pile height.

HIGH-RISE BUILDING. A building with an occupied floor located more than 75 55 feet (22 860 16 764 mm) above the lowest level of fire department vehicle access.

REPAIR GARAGE. A building, structure or portion thereof used for servicing or repairing motor vehicles. This occupancy shall also include garages involved in minor repair, modification and servicing of motor vehicles for items such as lube changes, inspections, windshield repair or replacement, shocks, minor part replacement, and other such minor repairs.

SELF-SERVICE STORAGE FACILITY. Real property designed and used for the purpose of renting or leasing individual storage spaces to customers for the purpose of storing and removing personal property on a self-service basis.

STANDBY PERSONNEL. Qualified fire service personnel approved by the Fire Chief. When utilized, the number required shall be as directed by the Fire Chief. Charges for utilization shall be as normally calculated by the jurisdiction.

UPGRADED OR REPLACED FIRE ALARM SYSTEM. A fire alarm system that is upgraded or replaced includes, but is not limited to the following:

- Replacing one single board or fire alarm control unit component with a newer model
- Installing a new fire alarm control unit in addition to or in place of an existing one
- Conversion from a horn system to an emergency voice/alarm communication system
- Conversion from a conventional system to one that utilizes addressable or analog devices

The following are not considered an upgrade or replacement:

- Firmware updates
- Software updates
- Replacing boards of the same model with chips utilizing the same or newer firmware

- (6) Section 307.1.1 of the IFC, 2018 edition is hereby amended to read as follows:

307.1.1 Prohibited Open Burning. Open burning that is offensive or objectionable because of smoke emissions or when atmospheric conditions or local circumstances make such fires hazardous shall be prohibited.

Exception:

{No change.}

- (7) Section 307.2 of the IFC, 2018 edition is hereby amended to read as follows:

307.2 Permit Required. A permit shall be obtained from the *fire code official* in accordance with Section 105.6 prior to kindling a fire for recognized silvicultural or range or wildlife management practices, prevention or control of disease or pests, or open burning application for such approval shall only be presented by and permits issued to the owner of the land upon which the fire is to be kindled.

- (8) Section 307.3 of the IPMC, 2018 edition is hereby amended to read as follows:

307.3 Extinguishment Authority. The fire code official is authorized to order the extinguishment by the permit holder, another person responsible or the fire department of open burning that creates or adds to a hazardous or objectionable situation.

- (9) Section 307.4 of the IFC, 2018 edition is hereby amended to read as follows:

307.4 Location. The location for open burning shall not be less than 300 feet (91 440 mm) from any structure, and provisions shall be made to prevent the fire from spreading to within 300 feet (91 440 mm) of any structure.

Exceptions:

{No change.}

- (10) Section 307.4.3 Exceptions of the IFC, 2018 edition is hereby amended to add Exception 2 as follows:

2. Where buildings, balconies and decks are protected by an approved automatic sprinkler system.

(11) Section 307.4.4 and 307.4.5 of the IFC, 2018 edition is hereby amended to add 307.4.4 and amend 307.4.5 to read as follows:

307.4.4 Permanent Outdoor Firepit. Permanently installed outdoor firepits for recreational fire purposes shall not be installed within 10 feet of a structure or combustible material.

Exception: Permanently installed outdoor fireplaces constructed in accordance with the International Building Code.

307.4.5 Trench Burns. Trench burns shall be conducted in air curtain trenches and in accordance with Section 307.2.

(12) Section 307.5 of the IFC, 2018 edition is hereby amended to read as follows:

307.5 Attendance. *Open burning, trench burns, bonfires, recreational fires, and use of portable outdoor fireplaces shall be constantly attended until the... {Remainder of section unchanged}.*

(13) Section 308.1.4 of the IFC, 2018 edition is hereby amended to read as follows:

308.1.4 Open-flame Cooking Devices. Open-flame cooking devices, charcoal grills and other similar devices used for cooking shall not be located or used on combustible balconies, decks, or within 10 feet (3048 mm) of combustible construction.

Exceptions:

1. One- and two-family dwellings, except that LP-gas containers are limited to a water capacity not greater than 50 pounds (22.68 kg) [nominal 20-pound (9.08 kg) LP-gas capacity] with an aggregate LP-gas capacity not to exceed 100 pounds (5 containers).
2. Where buildings, balconies and decks are protected by an approved *automatic sprinkler system*, except that LP-gas containers are limited to a water capacity not greater than 50 pounds (22.68 kg) [nominal 20 pound

(9.08 kg) LP-gas capacity], with an aggregate LP-gas capacity not to exceed 40 lbs. (2 containers).

3. {No change.}

(14) Section 308.1.6.2, Exception 3 of the IFC, 2018 edition is hereby amended to read as follows:

Exceptions:

3. Torches or flame-producing devices in accordance with Section 308.1.3.

(15) Section 308.1.6.3 of the IFC, 2018 edition is hereby amended to read as follows:

308.1.6.3 Sky Lanterns. A person shall not release or cause to be released an unmanned free-floating device containing an open flame or other heat source, such as but not limited to a *sky lantern*.

(16) Section 311.5 of the IFC, 2018 edition is hereby amended to read as follows:

311.5 Placards. The *fire code official* is authorized to require marking of any vacant or abandoned buildings or structures determined to be unsafe pursuant to Section 110 of this code relating to structural or interior hazards, as required by Section 311.5.1 through 311.5.5.

(17) Section 403.5 of the IFC, 2018 edition is hereby amended to read as follows:

403.5 Group E Occupancies. An approved fire safety and evacuation plan in accordance with Section 404 shall be prepared and maintained for Group E occupancies and for buildings containing both a Group E occupancy and an atrium. A diagram depicting two evacuation routes shall be posted in a conspicuous location in each classroom. Group E occupancies shall also comply with Sections 403.5.1 through 403.5.3.

(18) Section 404.2.2 of the IFC, 2018 edition is hereby amended to add number 4.10 to read as follows:

4.10 Fire extinguishing system controls.

- (19) Section 405.4 of the IFC, 2018 edition is hereby amended to read as follows:

405.4 Time. The fire code official may require an evacuation drill at any time. Drills shall be held at unexpected times and under varying conditions to simulate the unusual conditions that occur in case of fire.

- (20) Section 501.4 of the IFC, 2018 edition is hereby amended to read as follows:

501.4 Timing of Installation. When fire apparatus access roads or a water supply for fire protection is required to be installed for any structure or development, they shall be installed, tested, and approved prior to the time of which construction has progressed beyond completion of the foundation of any structure.

- (21) Section 503.1.1 of the IFC, 2018 edition is hereby amended to add a sentence to read as follows:

Except for one- or two-family dwellings, the path of measurement shall be along a minimum of ten feet (10') wide unobstructed pathway around the external walls of the structure.

- (22) Section 503.2.1 of the IFC, 2018 edition is hereby amended to read as follows:

503.2.1 Dimensions. Fire apparatus access roads shall have an unobstructed width of not less than 24 feet (7315 mm), exclusive of shoulders, except for approved security gates in accordance with Section 503.6, and an unobstructed vertical clearance of not less than 14 feet (4267 mm).

Exception:

Vertical clearance may be reduced; provided such reduction does not impair access by fire apparatus and *approved* signs are installed and maintained indicating the established vertical clearance when approved.

- (23) Section 503.2.2 of the IFC, 2018 edition is hereby amended to read as follows:

503.2.2 Authority. The *fire code official* shall have the authority to require an increase in the minimum access widths and vertical clearances where they are inadequate for fire or rescue operations.

- (24) Section 503.2.5 of the IFC, 2018 edition is hereby amended to add a section to read as follows:

Section 503.2.5 Dead ends. See Figure 503.2.5 for *approved* turn arounds. Figure 503.2.5 located in Appendix.

- (25) Section 503.2.7 of the IFC, 2018 edition is hereby amended to read as follows:

Section 503.2.7 Grade. The grade of the fire apparatus access road shall not exceed an 8° (degrees) pitch within any area of the fire apparatus road.

Exceptions:

1. *Fire code official* authorizes change.
2. Existing fire apparatus access roads unless reconstruction or other re-grading of the fire apparatus road is scheduled to take place for other reasons.

- (26) Section 503.2.3 of the IFC, 2018 edition is hereby amended to read as follows:

503.2.3 Surface. Fire apparatus access roads shall be designed and maintained to support imposed loads of 80,000 lbs. for fire apparatus and shall be surfaced so as to provide all-weather driving capabilities.

- (27) Section 503.3 of the IFC, 2018 edition is hereby amended to read as follows:

503.3 Marking. Striping, signs, or other markings, when approved by the *fire code official*, shall be provided for fire apparatus access roads to identify such roads or prohibit the obstruction thereof. Striping, signs and other markings shall be maintained in a clean and legible condition at all times and be replaced or repaired when necessary to provide adequate visibility.

(1) Striping – Fire apparatus access roads shall be continuously marked by painted lines of red traffic paint six inches (6”) in width to show the boundaries of the lane. The words “NO PARKING FIRE LANE” or “FIRE LANE NO PARKING” shall appear in four inch (4”) white letters at 25 feet intervals on the red border markings along both sides of the fire lanes. Where a curb is available, the striping shall be on the vertical face of the curb.

(2) Signs – Signs shall read “NO PARKING FIRE LANE” or “FIRE LANE NO PARKING” and shall be 12” wide and 18” high. Signs shall be painted on a white background with letters and borders in red, using not less than 2” lettering. Signs shall be permanently affixed to a stationary post and the bottom of the sign shall be six feet, six inches (6’6”) above finished grade. Signs shall be spaced not more than fifty feet (50’) apart along both sides of the fire lane. Signs may be installed on permanent buildings or walls or as approved by the Fire Chief.

(28) Section 503.4 of the IFC, 2018 edition is hereby amended to read as follows:

503.4 Obstruction of Fire Apparatus Access Roads. Fire apparatus access roads shall not be obstructed in any manner, including the parking of vehicles. The minimum widths and clearances established in Section 503.2.1 and any area marked as a fire lane as described in Section 503.3 shall be maintained at all times.

(29) Section 505.1 of the IFC, 2018 edition is hereby amended to read as follows:

505.1 Address Identification. New and existing buildings shall be provided with approved address identification. The address identification shall be legible and placed in a position that is visible from the street or road fronting the property. Address identification characters shall contrast with their background. Address numbers shall be Arabic numbers or alphabetical letters. Numbers shall not be spelled out. Each character shall be not less than 6 inches (152.4 mm) high with a minimum stroke width of 1/2 inch (12.7 mm). Where required by the fire code official, address numbers shall be provided in additional approved locations to facilitate emergency response. Where access is by means of a private road, buildings do not immediately front a street, and/or the

building cannot be viewed from the public way, a monument, pole or other sign with approved 6 inch (152.4 mm) height building numerals or addresses and 4 inch (101.6 mm) height suite/apartment numerals of a color contrasting with the background of the building or other approved means shall be used to identify the structure. Numerals or addresses shall be posted on a minimum 20 inch (508 mm) by 30 inch (762 mm) background on border. Address identification shall be maintained.

Exception:

R-3 Single Family occupancies shall have approved numerals of a minimum 3 ½ inches (88.9 mm) in height and a color contrasting with the background clearly visible and legible from the street fronting the property and rear alleyway where such alleyway exists.

- (30) Section 506.1 of the IFC, 2018 edition is hereby amended to add a Section 506.1 to read as follows:

Section 506.1 Where required. If a structure has a fire sprinkler riser room or a fire alarm panel room only accessible from the outside or exterior of the structure, it shall have an approved key box installed in an approved location at the riser or alarm room door.

- (31) Section 507.4 of the IFC, 2018 edition is hereby amended to read as follows:

507.4 Water Supply Test Date and Information. The water supply test used for hydraulic calculation of fire protection systems shall be conducted in accordance with NFPA 291 "Recommended Practice for Fire Flow Testing and Marking of Hydrants" and within one year of sprinkler plan submittal. The *fire code official* shall be notified prior to the water supply test. Water supply tests shall be witnessed by the *fire code official*, as required. The exact location of the static/residual hydrant and the flow hydrant shall be indicated on the design drawings. All fire protection plan submittals shall be accompanied by a hard copy of the waterflow test report, or as approved by the *fire code official*. The report must indicate the dominant water tank level at the time of the test and the maximum and minimum operating levels of the tank, as well, or identify applicable water supply fluctuation. The licensed contractor must then design the fire protection system based

on this fluctuation information, as per the applicable referenced NFPA standard. Reference Section 903.3.5 for additional design requirements.

- (32) Section 507.5.4 of the IFC, 2018 edition is hereby amended to read as follows:

507.5.4 Obstruction. Unobstructed access to fire hydrants shall be maintained at all times. Posts, fences, vehicles, growth, trash, storage and other materials or objects shall not be placed or kept near fire hydrants, fire department inlet connections or fire protection system control valves in a manner that would prevent such equipment or fire hydrants from being immediately discernible. The fire department shall not be deterred or hindered from gaining immediate access to fire protection equipment or fire hydrants.

- (33) Section 509.1.2 of the IFC, 2018 edition is hereby amended to add a new Section 509.1.2 to read as follows:

509.1.2 Sign Requirements. Unless more stringent requirements apply, lettering for signs required by this section shall have a minimum height of 2 inches (50.8 mm) when located inside a building and 4 inches (101.6 mm) when located outside, or as approved by the *fire code official*. The letters shall be of a color that contrasts with the background.

- (34) Section 603.3.1 of the IFC, 2018 edition is hereby amended to read as follows:

603.3.1 Fuel oil storage in outside, above-ground tanks. Where connected to a fuel-oil piping system, the maximum amount of fuel oil storage allowed outside above ground without additional protection shall be 660 gallons (2498 L). The storage of fuel oil above ground in quantities exceeding 660 gallons (2498 L) shall comply with NFPA 31 and Chapter 57.

- (35) Section 603.3.2 of the IFC, 2018 edition is hereby amended to read as follows:

603.3.2 Fuel oil storage inside buildings. Fuel oil storage inside buildings shall comply with Sections 603.3.2.1 through 603.3.2.5 and Chapter 57.

(36) Section 603.3.2.1 of the IFC, 2018 edition is hereby amended to read as follows:

603.3.2.1 Quantity limits. One or more fuel oil storage tanks containing Class II or III *combustible liquid* shall be permitted in a building. The aggregate capacity of all tanks shall not exceed the following:

1. 660 gallons (2498 L) in unsprinklered buildings, where stored in a tank complying with UL 80, UL 142 or UL 2085 for Class III liquids, and also listed as a double-wall/secondary containment tank for Class II liquids.
2. 1,320 gallons (4996 L) in buildings equipped with an *automatic sprinkler* system in accordance with Section 903.3.1.1, where stored in a tank complying with UL 142 or UL 2085 as a double-wall/secondary containment tank.
3. 3,000 gallons (11 356 L) where stored in protected above-ground tanks complying with UL 2085 and Section 5704.2.9.7 and the room is protected by an *automatic sprinkler system* in accordance with Section 903.3.1.1

(37) Section 807.5.2.2 of the IFC, 2018 edition is hereby amended to read as follows:

807.5.2.2 Artwork in Corridors. Artwork and teaching materials shall be limited on the walls of corridors to not more than 20 percent of the wall area. Such materials shall not be continuous from floor to ceiling or wall to wall. Curtains, draperies, wall hangings, and other decorative material suspended from the walls or ceilings shall meet the flame propagation performance criteria of NFPA 701 in accordance with Section 807 or be noncombustible.

Exception:

Corridors protected by an approved automatic sprinkler system installed in accordance with Section 903.3.1.1 shall be limited to 50 percent of the wall area.

(38) Section 807.5.2.3 of the IFC, 2018 edition is hereby amended to read as follows:

Artwork in Classrooms. Artwork and teaching materials shall be limited on walls of classrooms to not more than 50 percent of the specific wall area to which they are attached. Curtains, draperies, wall hangings and other decorative material suspended from the walls or ceilings shall meet the flame propagation performance criteria of NFPA 701 in accordance with Section 807 or be noncombustible.

- (39) Section 807.5.5.2 of the IFC, 2018 edition is hereby amended to read as follows:

807.5.5.2 Artwork in Corridors. Artwork and teaching materials shall be limited on the walls of corridors to not more than 20 percent of the wall area. Such materials shall not be continuous from floor to ceiling or wall to wall. Curtains, draperies, wall hangings and other decorative material suspended from the walls or ceilings shall meet the flame propagation performance criteria of NFPA 701 in accordance with Section 807 or be noncombustible.

Exception:

Corridors protected by an approved automatic sprinkler system installed in accordance with Section 903.3.1.1 shall be limited to 50 percent of the wall area.

- (40) Section 807.5.5.3 of the IFC, 2018 edition is hereby amended to read as follows:

807.5.5.3 Artwork in Classrooms. Artwork and teaching materials shall be limited on walls of classrooms to not more than 50 percent of the specific wall area to which they are attached. Curtains, draperies, wall hangings and other decorative material suspended from the walls or ceilings shall meet the flame propagation performance criteria of NFPA 701 in accordance with Section 807 or be noncombustible.

- (41) Section 901.4.6.1 of the IFC, 2018 edition is hereby added to read as follows:

Section 901.4.6.1 Access. If the fire pump or riser room is only accessible from the exterior of the building a key box shall be placed in an *approved*, by the fire code official, location near the fire pump or riser room access.

- (42) Section 901.6.1 of the IFC, 2018 edition is hereby amended to add a Section 901.6.1.1 to read as follows:

901.6.1.1 Standpipe Testing. Building owners/managers must maintain and test standpipe systems as per NFPA 25 requirements. The following additional requirements shall be applied to the testing that is required every 5 years:

1. The piping between the Fire Department Connection (FDC) and the standpipe shall be backflushed or inspected by approved camera when foreign material is present or when caps are missing, and also hydrostatically tested for all FDC's on any type of standpipe system. Hydrostatic testing shall also be conducted in accordance with NFPA 25 requirements for the different types of standpipe systems.
2. For any manual (dry or wet) standpipe system not having an automatic water supply capable of flowing water through the standpipe, the tester shall connect hose from a fire hydrant or portable pumping system (as approved by the *fire code official*) to each FDC, and flow water through the standpipe system to the roof outlet to verify that each inlet connection functions properly. Confirm that there are no open hose valves prior to introducing water into a dry standpipe. There is no required pressure criteria at the outlet. Verify that check valves function properly and that there are no closed control valves on the system.
3. Any pressure relief, reducing, or control valves shall be tested in accordance with the requirements of NFPA 25. All hose valves shall be exercised.
4. If the FDC shall have locking approved caps, the contractor shall install such caps for all FDC's as required by the *fire code official*. Upon annual inspections existing structures with a FDC shall be equipped with locking approved caps if locking approved caps are not currently in use.
5. Upon successful completion of standpipe test, place a blue tag (as per Texas Administrative Code, Fire Sprinkler Rules for Inspection, Test and Maintenance Service (ITM) Tag) at the bottom of each standpipe riser in the building. The tag shall be check-marked as "Fifth

Year” for Type of ITM, and the note on the back of the tag shall read “5 Year Standpipe Test” at a minimum.

6. The procedures required by Texas Administrative Code Fire Sprinkler Rules with regard to Yellow Tags and Red Tags or any deficiencies noted during the testing, including the required notification of the local Authority Having Jurisdiction (*fire code official*) shall be followed.
7. Additionally, records of the testing shall be maintained by the owner and contractor, if applicable, as required by the State Rules mentioned above and NFPA 25.
8. Standpipe system tests where water will be flowed external to the building shall not be conducted during freezing conditions or during the day prior to expected nighttime freezing conditions.
9. Contact the *fire code official* for requests to remove existing fire hose from Class II and III standpipe systems where employees are not trained in the utilization of this firefighting equipment. All standpipe hose valves must remain in place and be provided with an approved cap and chain when approval is given to remove hose by the *fire code official*.

1

(43) Section 901.6.4 of the IFC, 2018 edition is hereby added to read as follows:

901.6.4 False Alarms and Nuisance Alarms. False alarms and nuisance alarms shall not be given, signaled or transmitted or caused or permitted to be given, signaled or transmitted in any manner to the fire department and solicit an unwarranted response.

(44) Section 901.7 of the IFC, 2018 edition is hereby amended to read as follows:

901.7 Systems Out of Service. Where a required *fire protection system* is out of service or in the event of an excessive number of activations, the fire department and the *fire code official* shall be notified immediately and, where required by the *fire code official*, the building shall either be evacuated or an *approved fire watch* shall be provided for all occupants left unprotected by the shut down until the *fire*

protection system has been returned to service.... {Remaining text unchanged.}

- (45) Section 903.1.1 of the IFC, 2018 edition is hereby amended to read as follows:

903.1.1 Alternative Protection. Alternative automatic fire-extinguishing systems complying with Section 904 shall be permitted in addition to automatic sprinkler protection where recognized by the applicable standard, or as *approved* by the *fire code official*.

- (46) Section 903.2 of the IFC, 2018 edition is hereby amended to add a paragraph and delete the exception:

Automatic Sprinklers shall not be installed in elevator machine rooms, elevator machine spaces, and elevator hoist ways, other than pits where such sprinklers would not necessitate shunt trip requirements under any circumstances. Storage shall not be allowed within the elevator machine room. Signage shall be provided at the entry doors to the elevator machine room indicating "ELEVATOR MACHINERY – NO STORAGE ALLOWED."

- (47) Section 903.2.9 of the IFC, 2018 edition is hereby added to read as follows:

903.2.9.3 Self-Service Storage Facility. An automatic sprinkler system shall be installed throughout all self-service storage facilities.

- (48) Section 903.2.11.3 of the IFC, 2018 edition is hereby amended to read as follows:

903.2.11.3 Buildings 35 feet or more in height. An automatic sprinkler system shall be installed throughout buildings that have one or more stories with an occupant load of 30 or more, other than penthouses in compliance with Section 1510 of the International Building Code, located 55 35 feet (16 764 10 668 mm) or more above the lowest level of fire department vehicle access, measured to the finished floor.

Exceptions:

1. Open parking structures in compliance with Section 406.5 of the International Building Code, having no other occupancies above the subject garage.
2. Occupancies in Group F-2.

(49) Section 903.2.11.7 of the IFC, 2018 edition is hereby amended to read as follows:

903.2.11.7 High-Piled Combustible Storage. For any building with a clear height exceeding 12 feet (4572 mm), see Chapter 32 to determine if those provisions apply.

(50) Section 903.2.11.8 of the IFC, 2018 edition is hereby amended to read as follows:

903.2.11.8 Spray Booths and Rooms. New and existing spray booths and spraying rooms shall be protected by an approved automatic fire-extinguishing system.

Exception:

Existing spray booths and spraying rooms that existed prior to the year 1999 and whereas the structure is of noncombustible construction.

(51) Section 903.2.11.9 of the IFC, 2018 edition is hereby amended to read as follows:

903.2.11.9 Buildings Over 6,000 sq. ft. An automatic sprinkler system shall be installed throughout all buildings with a building area 6,000 sq. ft. or greater and in all existing buildings that are enlarged to be 6,000 sq. ft. or greater. For the purpose of this provision, fire walls shall not define separate buildings.

Exception:

Open parking garages in compliance with Section 406.5 of the IBC.

(52) Section 903.2.11.10 of the IFC, 2018 edition is hereby added to read as follows:

903.2.11.10 Buildings Over 5000 sq. ft. An automatic sprinkler system shall be installed throughout all buildings with

a building area 5000 sq. ft or greater that are being used as an A-2 Occupancy or has an occupancy level at 100 or greater as designated by the *fire code official*. Area sq. ft calculations includes covered areas or patios. For the purpose of this provision, fire walls shall not define separate buildings.

(53) Section 903.3.1.1.1 of the IFC, 2018 edition is hereby amended to read as follows:

903.3.1.1.1 Exempt Locations. When approved by the *fire code official*, automatic sprinklers shall not be required in the following rooms or areas where such ... *{text unchanged}* ... because it is damp, of fire-resistance-rated construction or contains electrical equipment.

1. Any room where the application of water, or flame and water, constitutes a serious life or fire hazard.
2. Any room or space where sprinklers are considered undesirable because of the nature of the contents, when approved by the code official.
3. Generator and transformer rooms, under the direct control of a public utility, separated from the remainder of the building by walls and floor/ceiling or roof/ceiling assemblies having a fire-resistance rating of not less than 2 hours.
4. {Delete.}
5. Elevator machine rooms, ~~and~~ machinery spaces, and hoist ways, other than pits where such sprinklers would not necessitate shunt trip requirements under any circumstances.
6. {Delete.}

(54) Section 903.3.1.2.3 of the IFC, 2018 edition is hereby deleted in its entirety and replaced with the following to read as follows:

[F] Section 903.3.1.2.3 Attached Garages and Attics. Sprinkler protection is required in attached garages, and in the following attic spaces:

1. Attics that are used or intended for living purposes, storage or could have future use for living purpose or

storage shall be protected by an automatic sprinkler system.

2. Where fuel-fired equipment is installed in an unsprinklered attic, not fewer than one quick-response intermediate temperature sprinkler shall be installed above the equipment.
3. Attic spaces of buildings that are two or more stories in height above grade plane or above the lowest level of fire department vehicle access.
4. Group R-4, Condition 2 occupancy attics not required by Item 1 or 3 to have sprinklers shall comply with one of the following:
 - 4.1. Provide automatic sprinkler system protection.
 - 4.2. Provide a heat detection system throughout the attic that is arranged to activate the building fire alarm system.
 - 4.3. Construct the attic using noncombustible materials.
 - 4.4. Construct the attic using fire-retardant-treated wood complying with Section 2303.2 of the International Building Code.
 - 4.5. Fill the attic with noncombustible insulation.

(55) Section 903.3.1.3 of the IFC, 2018 edition is hereby amended to read as follows:

903.3.1.3 NFPA 13D Sprinkler Systems. Automatic sprinkler systems installed in one- and two-family dwellings; Group R-3; Group R-4, Condition 1; and townhouses shall be permitted to be installed throughout in accordance with NFPA 13D or in accordance with state law.

(56) Section 903.3.1.4 of the IFC, 2018 edition is hereby added to read as follows:

[F] 903.3.1.4 Freeze protection. Freeze protection systems for automatic fire sprinkler systems shall be in accordance with the requirements of the applicable referenced NFPA standard and this section.

903.3.1.4.1 Attics. Only dry pipe, preaction, or listed antifreeze automatic fire sprinkler systems shall be allowed to protect attic spaces.

Exception:

Wet-pipe fire sprinkler systems shall be allowed to protect non-ventilated attic spaces where:

1. The attic sprinklers are supplied by a separate floor control valve assembly to allow ease of draining the attic system without impairing sprinklers throughout the rest of the building, and;
2. Adequate heat shall be provided for freeze protection as per the applicable referenced NFPA standard, and;
3. The attic space is a part of the building's thermal, or heat, envelope, such that insulation is provided at the roof deck, rather than at the ceiling level.

903.3.1.4.2 Heat trace/insulation. Heat trace/insulation shall only be allowed where approved by the fire code official for small sections of large diameter water-filled pipe.

- (57) Section 903.3.5 of the IFC, 2018 edition is hereby amended to add a second paragraph to read as follows:

Water supply as required for such systems shall be provided in conformance with the supply requirements of the respective standards; however, every water-based fire protection system shall be designed with a 10-psi safety factor. Reference Section 507.4 for additional design requirements.

- (58) Section 903.4 of the IFC, 2018 edition is hereby amended to add a second paragraph after the exception to read as follows:

Sprinkler and standpipe system water-flow detectors shall be provided for each floor tap to the sprinkler system and shall cause an alarm upon detection of water flow for more than 45 seconds. All control valves in the sprinkler and standpipe systems except for fire department hose connection valves

shall be electrically supervised to initiate a supervisory signal at the central station upon tampering.

- (59) Section 903.4.2 of the IFC, 2018 edition is hereby amended to add a second paragraph to read as follows:

The alarm device required on the exterior of the building shall be a weatherproof horn/strobe notification appliance with a minimum 75 candela strobe rating, installed as close as practicable to the fire department connection.

- (60) Section 905.2 of the IFC, 2018 edition is hereby amended to read as follows:

905.2 Installation Standard. Standpipe systems shall be installed in accordance with this section and NFPA 14. Manual dry standpipe systems shall be supervised with a minimum of 10 psig and a maximum of 40 psig air pressure with a high/low alarm.

- (61) Section 905.3 of the IFC, 2018 edition is hereby amended to add a Section 905.3.9 to read as follows:

905.3.9 Buildings Exceeding 10,000 sq. ft. In buildings exceeding 10,000 square feet in area per story and where any portion of the building's interior area is more than 200 feet (60960 mm) of travel, vertically and horizontally, from the nearest point of fire department vehicle access, Class I automatic wet or manual wet standpipes shall be provided.

Exceptions:

1. Automatic dry, semi-automatic dry, and manual dry standpipes are allowed as provided for in NFPA 14 where approved by the fire code official.
2. R-2 occupancies of four stories or less in height having no interior corridors.

- (62) Section 905.4 of the IFC, 2018 edition is hereby amended to read as follows:

1. In every required exit stairway, a hose connection shall be provided for each story above and below grade plane. Hose connections shall be located at an

intermediate landing between stories, unless otherwise approved by the fire code official.

2. {No change.}
3. In every exit passageway, at the entrance from the exit passageway to other areas of a building.

Exception:

Where floor areas adjacent to an exit passageway are reachable from an exit stairway hose connection by a {remainder of text unchanged.}

4. {No change.}
5. Where the roof has a slope less than four units vertical in 12 units horizontal (33.3-percent slope), each standpipe shall be provided with a two-way hose connection located to serve the roof or at the highest landing of an exit stairway with stair access to the roof provided in accordance with Section 1011.12.
6. {No change.}
7. When required by this Chapter, standpipe connections shall be placed adjacent to all required exits to the structure and at two hundred feet (200') intervals along major corridors thereafter, or as otherwise approved by the fire code official.

- (63) Section 905.9 of the IFC, 2018 edition is hereby amended to add a second paragraph after the exceptions to read as follows:

Sprinkler and standpipe system water-flow detectors shall be provided for each floor tap to the sprinkler system and shall cause an alarm upon detection of water flow for more than 45 seconds. All control valves in the sprinkler and standpipe systems except for fire department hose connection valves shall be electrically supervised to initiate a supervisory signal at the central station upon tampering.

- (64) Section 907.1 of the IFC, 2018 edition is hereby amended to add a new Section 907.1.4 to read as follows:

907.1.4 Design Standards. Where a new fire alarm system is installed, the devices shall be addressable. Fire alarm systems utilizing more than 20 smoke detectors shall have analog initiating devices.

(65) Section 907.2.1 of the IFC, 2018 edition is hereby amended to read as follows:

907.2.1 Group A. A manual fire alarm system that activates the occupant notification system in accordance with Section 907.5 shall be installed in Group A, occupancies having an occupant load of 300 or more persons, or where the occupant load is more than 100 persons above or below the *lowest level of exit discharge*. Group A occupancies not separated from one another in accordance with Section 707.3.–10 of the *International Building Code* shall be considered as a single occupancy for the purposes of applying this section. Portions of Group E occupancies occupied for assembly purposes shall be provided with a fire alarm system as required for the Group E occupancy. Group S occupancies having an occupant load of more than 25 persons when the fire code official deems practical for safety purposes. All alarm devices that require a key or tool to access must match all devices.

Exception: {No change.}

Activation of fire alarm notification appliances shall:

1. Cause illumination of the *means of egress* with light of not less than 1 foot-candle (11 lux) at the walking surface level, and
2. Stop any conflicting or confusing sounds and visual distractions.

(66) Section 907.2.3 of the IFC, 2018 edition is hereby amended to read as follows:

907.2.3 Group E. A manual fire alarm system that initiates the occupant notification signal utilizing an emergency voice/alarm communication system meeting the requirements of Section 907.5.2.2 and installed in accordance with Section 907.6 shall be installed in Group E educational occupancies. When *automatic sprinkler systems* or smoke detectors are installed, such systems or detectors shall be connected to the building fire alarm system. An approved smoke detection

system shall be installed in Group E day care occupancies. Unless separated by a minimum of 100' open space, all buildings, whether portable buildings or the main building, will be considered one building for alarm occupant load consideration and interconnection of alarm systems.

Exceptions:

1. {No change.}
 - 1.1. Residential In-Home day care with not more than 12 children may use interconnected single station detectors in all habitable rooms. (For care of more than five children 2 1/2 or less years of age, see Section 907.2.6.) {No change to remainder of exceptions.}

(67) Section 907.2.12 of the IFC, 2018 edition is hereby amended to change Exception 3 to read as follows:

3. Open air portions of buildings with an occupancy in Group A-5 in accordance with Section 303.1 of the *International Building Code*; however, this exception does not apply to accessory uses including but not limited to sky boxes, restaurants, and similarly enclosed areas.

(68) Section 907.4.2 of the IFC, 2018 edition is hereby amended to add a Section 907.4.2.7 to read as follows:

907.4.2.7 Type. Manual alarm initiating devices shall be an approved double action type.

(69) Section 907.6.1 of the IFC, 2018 edition is hereby amended to add a Section 907.6.1.1 to read as follows:

907.6.1.1 Wiring Installation. All fire alarm systems shall be installed in such a manner that a failure of any single initiating device or single open in an initiating circuit conductor will not interfere with the normal operation of other such devices. All signaling line circuits (SLC) shall be installed in such a way that a single open will not interfere with the operation of any addressable devices (Class A). Outgoing and return SLC conductors shall be installed in accordance with NFPA 72 requirements for Class A circuits and shall have a minimum of four feet separation horizontal and one foot vertical

between supply and return circuit conductors. The initiating device circuit (IDC) from a signaling line circuit interface device may be wired Class B, provided the distance from the interface device to the initiating device is ten feet or less.

- (70) Section 907.6.3 of the IFC, 2018 edition is hereby amended to delete all four of the Exceptions.
- (71) Section 907.6.6 of the IFC, 2018 edition is hereby amended to add a sentence at the end of the paragraph to read as follows:

See 907.6.3 for the required information transmitted to the supervising station.

- (72) Section 907.7.2.1 of the IFC, 2018 edition is hereby added to read as follows:

Section 907.7.2.1 Device labeling and mapping. All alarm devices will be externally labeled on the device and a device map shall be located at the fire alarm panel.

- (73) Section 909.22 of the IFC, 2018 edition is hereby added to read as follows:

909.22 Stairway or Ramp Pressurization Alternative. Where the building is equipped throughout with an automatic sprinkler system in accordance with Section 903.3.1.1 and the stair pressurization alternative is chosen for compliance with Building Code requirements for a smokeproof enclosure, interior exit stairways or ramps shall be pressurized to a minimum of 0.10 inches of water (25 Pa) and a maximum of 0.35 inches of water (87 Pa) in the shaft relative to the building measured with all interior exit stairway and ramp doors closed under maximum anticipated conditions of stack effect and wind effect. Such systems shall comply with Section 909, including the installation of a separate fire-fighter's smoke control panel as per Section 909.16, and a Smoke Control Permit shall be required from the fire department as per Section 105.7.

909.22.1 Ventilating equipment. The activation of ventilating equipment for the stair or ramp pressurization system shall be by smoke detectors installed at each floor level at an approved location at the entrance to the smokeproof enclosure. When the closing device for the stairway or ramp shaft and vestibule doors is activated by smoke detection or power failure, the

mechanical equipment shall activate and operate at the required performance levels. Smoke detectors shall be installed in accordance with Section 907.3.

909.22.1.1 Ventilation Systems. Smokeproof enclosure ventilation systems shall be independent of other building ventilation systems. The equipment, control wiring, power wiring and ductwork shall comply with one of the following:

1. Equipment, control wiring, power wiring and ductwork shall be located exterior to the building and directly connected to the smokeproof enclosure or connected to the smokeproof enclosure by ductwork enclosed by not less than 2-hour fire barriers constructed in accordance with Section 707 of the Building Code or horizontal assemblies constructed in accordance with Section 711 of the Building Code, or both.
2. Equipment, control wiring, power wiring and ductwork shall be located within the smokeproof enclosure with intake or exhaust directly from and to the outside or through ductwork enclosed by not less than 2-hour barriers constructed in accordance with Section 707 of the Building Code or horizontal assemblies constructed in accordance with Section 711 of the Building Code, or both.
3. Equipment, control wiring, power wiring and ductwork shall be located within the building if separated from the remainder of the building, including other mechanical equipment, by not less than 2-hour fire barriers constructed in accordance with Section 707 of the Building Code or horizontal assemblies constructed in accordance with Section 711 of the Building Code, or both.

Exceptions:

1. Control wiring and power wiring utilizing a 2-hour rated cable or cable system.
2. Where encased with not less than 2 inches (51 mm) of concrete.

3. Control wiring and power wiring protected by a listed electrical circuit protective system with a fire-resistance rating of not less than 2 hours.

909.21.1.2 Standby Power. Mechanical vestibule and stairway and ramp shaft ventilation systems and automatic fire detection systems shall be provided with standby power in accordance with Section 2702 of the Building Code.

909.22.1.3 Acceptance and Testing. Before the mechanical equipment is approved, the system shall be tested in the presence of the fire code official to confirm that the system is operating in compliance with these requirements.

(74) Section 910.2 of the IFC, 2018 edition is hereby amended to change Exception 2 and 3 to read as follows:

2. Only manual smoke and heat removal shall not be required in areas of buildings equipped with early suppression fast-response (ESFR) sprinklers. Automatic smoke and heat removal is prohibited.
3. Only manual smoke and heat removal shall not be required in areas of buildings equipped with control mode special application sprinklers with a response time index of $50(m^*S)^{1/2}$ or less that are listed to control a fire in stored commodities with 12 or fewer sprinklers. Automatic smoke and heat removal is prohibited.

(75) Section 910.2 of the IFC, 2018 edition is hereby amended to add Subsection 910.2.3 with exceptions to read as follows:

910.2.3 Group H. Buildings and portions thereof used as a Group H occupancy as follows:

1. In occupancies classified as Group H-2 or H-3, any of which are more than 15,000 square feet (1394 m²) in single floor area.

Exception:

Buildings of noncombustible construction containing only noncombustible materials.

2. In areas of buildings in Group H used for storing Class 2, 3, and 4 liquid and solid oxidizers, Class 1 and

unclassified detonable organic peroxides, Class 3 and 4 unstable (reactive) materials, or Class 2 or 3 water-reactive materials as required for a high-hazard commodity classification.

Exception:

Buildings of noncombustible construction containing only noncombustible materials.

- (76) Section 910.3 of the IFC, 2018 edition is hereby amended to add section 910.3.4, 910.3.4.1, and 910.3.4.2 to read as follows:

910.3.4 Vent Operation. Smoke and heat vents shall be capable of being operated by approved automatic and manual means. Automatic operation of smoke and heat vents shall conform to the provisions of Sections 910.3.2.1 through 910.3.2.3.

910.3.4.1 Sprinklered buildings. Where installed in buildings equipped with an approved automatic sprinkler system, smoke and heat vents shall be designed to operate automatically.

The automatic operating mechanism of the smoke and heat vents shall operate at a temperature rating at least 100 degrees F (approximately 38 degrees Celsius) greater than the temperature rating of the sprinklers installed.

Exception:

Manual only systems per Section 910.2.

910.3.4.2 Nonsprinklered Buildings. Where installed in buildings not equipped with an approved automatic sprinkler system, smoke and heat vents shall operate automatically by actuation of a heat-responsive device rated at between 100°F (56°C) and 220°F (122°C) above ambient.

- (77) Section 910.4.3.1 of the IFC, 2018 edition is hereby amended to read as follows:

910.4.3.1 Makeup Air. Makeup air openings shall be provided within 6 feet (1829 mm) of the floor level. Operation of makeup air openings shall be automatic. The minimum gross area of makeup air inlets shall be 8 square feet per

1,000 cubic feet per minute (0.74 m² per 0.4719 m³/s) of smoke exhaust.

- (78) Section 912.2 of the IFC, 2018 edition is hereby amended to add a Section 912.2.3 to read as follows:

912.2.3 Hydrant Distance. An approved fire hydrant shall be located within 100 feet of the fire department connection as the fire hose lays along an unobstructed path.

- (79) Section 913.2.1 of the IFC, 2018 edition is hereby amended to add a second paragraph and exception to read as follows:

When located on the ground level at an exterior wall, the fire pump room shall be provided with an exterior fire department access door that is not less than 3 ft. in width and 6 ft. – 8 in. in height, regardless of any interior doors that are provided. A key box shall be provided at this door, as required by Section 506.1.

Exception:

When it is necessary to locate the fire pump room on other levels or not at an exterior wall, the corridor leading to the fire pump room access from the exterior of the building shall be provided with equivalent fire resistance as that required for the pump room, or as approved by the *fire code official*. Access keys shall be provided in the key box as required by Section 506.1.

- (80) Section 914.3.1.2 of the IFC, 2018 edition is hereby amended to read as follows:

914.3.1.2 Water Supply to required Fire Pumps. In buildings that are more than 120 feet (37 m) in *building height*, required fire pumps shall be supplied by connections to no fewer than two water mains located in different streets. Separate supply piping shall be provided between each connection to the water main and the pumps. Each connection and the supply piping between the connection and the pumps shall be sized to supply the flow and pressure required for the pumps to operate.

Exception:

{No change to exception.}

(81) Section 1006.2.2.7 of the IFC, 2018 edition is hereby added to read as follows:

1006.2.2.7 Electrical Rooms. For electrical rooms, special exiting requirements may apply. Reference the electrical code as adopted.

(82) Section 1008.1 of the IFC, 2018 edition is hereby added to read as follows:

1008.1 Means of egress illumination. All means of egress illumination (emergency lighting) must be on a dedicated electrical circuit. May share circuit with *exit* signs.

(83) Section 1009.8 of the IFC, 2018 edition is hereby amended to add Exception 7 to read as follows:

Exceptions:

7. Buildings regulated under State Law and built in accordance with State registered plans, including variances or waivers granted by the State, shall be deemed to be in compliance with the requirements of Section 1009 and chapter 11.

(84) Section 1010.1.9.5 Bolt Locks of the IFC, 2018 edition is hereby amended to read as follows:

Exceptions:

3. Where a pair of doors serves an occupant load of less than 50 persons in a Group B, F, M or S occupancy {remainder unchanged.}

4. Where a pair of doors serves a Group A, B, F, M or S occupancy {remainder unchanged.}

(85) Section 1013.5 of the IFC, 2018 edition is hereby added to read as follows:

Section 1013.5 Internally illuminated exit signs. All internally illuminated *exit* signs must be on dedicated electrical circuit. May share circuit with egress illumination (emergency lighting).

(86) Section 1020.1 of the IFC, 2018 edition is hereby amended to add Exception 6 to read as follows:

6. In group B occupancies, corridor walls and ceilings need not be of fire-resistive construction within a single tenant space when the space is equipped with approved automatic smoke-detection within the corridor. The actuation of any detector must activate self-annunciating alarms audible in all areas within the corridor. Smoke detectors must be connected to an approved automatic fire alarm system where such system is provided.

(87) Section 1029.1.1.1 Spaces under grandstands and bleachers of the IFC, 2018 edition is hereby deleted in its entirety.

(88) Section 1031.2 of the IFC, 2018 edition is hereby amended to read as follows:

1031.2 Reliability. Required *exit accesses, exits* and *exit discharges* shall be continuously maintained free from obstructions or impediments to full instant use in the case of fire or other emergency. An *exit* or *exit passageway* shall not be used for any purpose that interferes with a means of egress.

(89) Section 1103.3 of the IFC, 2018 edition is hereby amended to add a sentence at the end of the paragraph to read as follows:

Provide emergency signage as required by Section 606.3.

(90) Section 1103.5.1 of the IFC, 2018 edition is hereby amended to add a sentence to read as follows:

Fire sprinkler system installation shall be completed within 12 months from date of approval for installation by the fire code official.

(91) Section 1103.5 of the IFC, 2018 edition is hereby amended to a Subsection 1103.5.5 to read as follows:

1103.5.5 Spray Booths and Rooms. New spray booths spray rooms shall be protected by an approved automatic fire-extinguishing system in accordance with Section 2404.

(92) Section 1103.7 of the IFC, 2018 edition is hereby amended to add Subsection(s) 1103.7.7 and 1103.7.7.1 to read as follows:

1103.7.7 Fire Alarm System Design Standards. Where an existing fire alarm system is upgraded or replaced, the devices shall be addressable. Fire alarm systems utilizing more than 20 smoke and/or heat detectors shall have analog initiating devices.

Exception:

Existing systems need not comply unless the total building, or fire alarm system, remodel or expansion exceeds 30% of the building. When cumulative building, or fire alarm system, remodel or expansion initiated after the date of original fire alarm panel installation exceeds 50% of the building, or fire alarm system, the fire alarm system must comply within 18 months of permit application.

1103.7.7.1 Communication requirements. Refer to Section 907.6.6 for applicable requirements.

(93) Section 1203 of the IFC, 2018 edition is hereby amended to read as follows:

1203.1.1 {No change.}

1203.1.2 {No change.}

1203.1.3 Emergency power systems and standby power systems shall be installed in accordance with the *International Building Code*, NFPA 70, NFPA 110 and NFPA 111. Existing installations shall be maintained in accordance with the original approval, except as specified in Chapter 11.

1203.1.4 through 1203.1.9 {No changes to these sections.}

1203.1.10 Critical Operations Power Systems (COPS). For Critical Operations Power Systems necessary to maintain continuous power supply to facilities or parts of facilities that require continuous operation for the reasons of public safety, emergency management, national security, or business continuity, see NFPA 70.

1203.2 Where Required. Emergency and standby power systems shall be provided where required by Sections

1203.2.1 through 1203.2.4826 or elsewhere identified in this code or any other referenced code.

1203.2.1 through 1203.2.3 {No change.}

1203.2.4 Emergency Voice/Alarm Communications Systems. Emergency power shall be provided for emergency voice/alarm communications systems in the following occupancies, or as specified elsewhere in this code, as required in Section 907.5.2.2.5. The system shall be capable of powering the required load for a duration of not less than 24 hours, as required in NFPA 72.

Covered and Open Malls, Section 907.2.19 and 914.2.3

Group A Occupancies, Sections 907.2.1 and 907.5.2.2.4.

Special Amusement Buildings, Section 907.2.11

High-rise Buildings, Section 907.2.12

Atriums, Section 907.2.13

Deep Underground Buildings, Section 907.2.18

1203.2.5 through 1203.2.13 {No change.}

1203.2.14 Means of Egress Illumination. Emergency power shall be provided for *means of egress* illumination in accordance with Sections 1008.3 and 1104.5.1. (90 minutes.)

1203.2.15 Membrane Structures. Emergency power shall be provided for *exit* signs in temporary tents and membrane structures in accordance with Section 3103.12.6. (90 minutes) Standby power shall be provided for auxiliary inflation systems in permanent membrane structures in accordance with Section 2702 of the *International Building Code*. (4 hours) Auxiliary inflation systems shall be provided in temporary air-supported and air-inflated membrane structures in accordance with section 3103.10.4.

1203.2.16 {No change.}

1203.2.17 Smoke Control Systems. Standby power shall be provided for smoke control systems in the following occupancies, or as specified elsewhere in this code, as required in Section 909.11:

Covered Mall Building, *International Building Code*, Section 402.7

Atriums, *International Building Code*, Section 404.7

Underground Buildings, *International Building Code*, Section 405.8

Group I-3, *International Building Code*, Section 408.4.2

Stages, *International Building Code*, Section 410.2.5

Special Amusement Buildings (as applicable to Group A's), *International Building Code*, Section 411.1

Smoke Protected Seating, Section 1029.6.2.

1203.2.18 {No change.}

1203.2.19 Covered and Open Mall Buildings. Emergency power shall be provided in accordance with Section 907.2.19 and 914.2.3.

1203.2.20 Airport Traffic Control Towers. A standby power system shall be provided in airport traffic control towers more than 65 ft. in height. Power shall be provided to the following equipment:

1. Pressurization equipment, mechanical equipment and lighting.
2. Elevator operating equipment.
3. Fire alarm and smoke detection systems.

1203.2.21 Smokeproof Enclosures and Stair Pressurization Alternative. Standby power shall be provided for smokeproof enclosures, stair pressurization alternative and associated automatic fire detection systems as required by the *International Building Code*, Section 909.20.6.2.

1203.2.22 Elevator Pressurization. Standby power shall be provided for elevator pressurization system as required by the *International Building Code*, Section 909.21.5.

1203.2.23 Elimination of Smoke Dampers in Shaft Penetrations. Standby power shall be provided when eliminating the smoke dampers in ducts penetrating shafts in accordance with the *International Building Code*, Section 717.5.3, exception 2.3.

1203.2.24 Common Exhaust Systems for Clothes Dryers. Standby power shall be provided for common exhaust systems for clothes dryers located in multistory structures in accordance with the *International Mechanical Code*, Section 504.10, Item 7.

1203.2.25 Hydrogen Cutoff Rooms. Standby power shall be provided for mechanical ventilation and gas detection systems of Hydrogen Cutoff Rooms in accordance with the *International Building Code*, Section 421.

1203.2.26 Means of Egress Illumination in Existing Buildings. Emergency power shall be provided for *means of egress* illumination in accordance with Section 1104.5 when required by the fire code official. (90 minutes in I-2, 60 minutes elsewhere.)

1203.3 through 1203.6 {No change.}

1203.7 Energy Time Duration. Unless a time limit is specified by the fire code official, in this chapter or elsewhere in this code, or in any other referenced code or standard, the emergency and standby power system shall be supplied with enough fuel or energy storage capacity for not less than 2-hour full-demand operation of the system.

Exception:

Where the system is supplied with natural gas from a utility provider and is approved.

(94) Section 2304.1 of the IFC, 2018 edition is hereby amended to read as follows:

2304.1 Supervision of Dispensing. The dispensing of fuel at motor fuel-dispensing facilities shall in accordance with the following:

1. Conducted by a qualified attendant; and/or,
2. Shall be under the supervision of a qualified attendant; and/or
3. Shall be an unattended self-service facility in accordance with Section 2304.3.

At any time, the qualified attendant of item Number 1 or 2 above is not present, such operations shall be considered as an unattended self-service facility and shall also comply with Section 2304.3

(95) Section 2401.2 of the IFC, 2018 edition is hereby deleted in its entirety.

(96) Section 3103.3.1 of the IFC, 2018 edition is hereby deleted in its entirety.

(97) Table 3206.2, footnote h. of the IFC, 2018 edition is hereby amended to read as follows:

h. Where storage areas are protected by either early suppression fast response (ESFR) sprinkler systems or control mode special application sprinklers with a response time index of 50 (m • s) 1/2 or less that are listed to control a fire in the stored commodities with 12 or fewer sprinklers, installed in accordance with NFPA 13, manual smoke and heat vents or manually activated engineered mechanical smoke exhaust systems shall be required within these areas.

(98) Section 3206.2, footnote j. of the IFC, 2018 edition is hereby amended to add footnote j to row titled "High Hazard" and "Greater than 300,000' to read as follows:

j. High hazard high-piled storage areas shall not exceed 500,000 square feet. A 2-hour fire wall constructed in accordance with Section 706 of the *International Building Code* shall be used to divide high-piled storage exceeding 500,000 square feet in area.

(99) Section 3310.1 of the IFC, 2018 edition is hereby amended to add a sentence at the end of the paragraph to read as follows:

When fire apparatus access roads are required to be installed for any structure or development, they shall be approved prior to the time at which construction has progressed beyond completion of the foundation of any structure.

(100) Section 5601.1.3 of the IFC, 2018 edition is hereby amended to read as follows:

5601.1.3 Fireworks. The possession, manufacture, storage, sale, handling, and use of fireworks are prohibited.

Exceptions:

1. Only when approved for fireworks displays, storage, and handling of fireworks as allowed in Section 5604 and 5608.
2. The use of fireworks for approved fireworks displays as allowed in Section 5608.
3. Possession of fireworks are approved if fireworks are of general public retail type and remain in their original unopened packaging or container. Must comply with Texas House Bill 1813.

(101) Section 5703.6 of the IFC, 2018 edition is hereby amended to read as follows:

5703.6 Piping Systems. Piping systems, and their component parts, for flammable and combustible liquids shall be in accordance with Sections 5703.6.1 through 5703.6.11. An *approved* method of secondary containment shall be provided for underground tank and piping systems.

(102) Section 5704.2.11.4 of the IFC, 2018 edition is hereby amended to read as follows:

5704.2.11.4 Leak Prevention. Leak prevention for underground tanks shall comply with Sections 5704.2.11.4.1 through 5704.2.11.4.3. An *approved* method of secondary containment shall be provided for underground tank and piping systems.

(103) Section 5704.2.11.4.2 of the IFC, 2018 edition is hereby amended to read as follows:

5704.2.11.4.2 Leak Detection. Underground storage tank systems shall be provided with an *approved* method of leak detection from any component of the system that is designed and installed in accordance with NFPA 30 and as specified in Section 5704.2.11.4.3.

(104) Section 5704.2.11.4.3 of the IFC, 2018 edition is hereby added to read as follows:

5704.2.11.4.3 Observation Wells. Approved sampling tubes of a minimum 4 inches in diameter shall be installed in the backfill material of each underground flammable or combustible liquid storage tank. The tubes shall extend from a point 12 inches below the average grade of the excavation to ground level and shall be provided with suitable surface access caps. Each tank site shall provide a sampling tube at the corners of the excavation with a minimum of 4 tubes. Sampling tubes shall be placed in the product line excavation within 10 feet of the tank excavation and one every 50 feet routed along product lines towards the dispensers, a minimum of two are required.

(105) Section 5707.4 of the IFC, 2018 edition is hereby amended to add a paragraph to read as follows:

Mobile fueling sites shall be restricted to commercial, industrial, governmental, or manufacturing, where the parking area having such operations is primarily intended for employee vehicles. Mobile fueling shall be conducted for fleet fueling or employee vehicles only, not the general public. Commercial sites shall be restricted to office-type or similar occupancies that are not primarily intended for use by the public

(106) Section 6103.2.1 of the IFC, 2018 edition is hereby amended to add a Subsection 6103.2.1.8 read as follows:

6103.2.1.8 Jewelry Repair, Dental Labs and Similar Occupancies. Where natural gas service is not available, portable LP-Gas containers are allowed to be used to supply approved torch assemblies or similar appliances. Such containers shall not exceed 20-pound (9.0 kg) water capacity. Aggregate capacity shall not exceed 60-pound (27.2 kg) water capacity. Each device shall be separated from other containers by a distance of not less than 20 feet. If natural gas is used an approved Emergency Shut Off must be present and placed in an inconspicuous location.

(107) Section 6104.2 of the IFC, 2018 edition is hereby amended to add an Exception 2 to read as follows:

Exceptions:

1. *{existing text unchanged.}*

2. Except as permitted in Sections 308 and 6104.3.2, LP-gas containers are not permitted in residential areas.

(108) Section 6104.3 of the IFC, 2018 edition is hereby amended to add Subsection 6104.3.3 to read as follows:

6104.3.3 Spas, Pool Heaters, and Other Listed Devices.

Where natural gas service is not available, an LP-gas container is allowed to be used to supply spa and pool heaters or other listed devices. Such container shall not exceed 250-gallon water capacity per lot. See Table 6104.3 for location of containers.

Exception:

Lots where LP-gas can be off-loaded wholly on the property where the tank is located may install up to 500 gallon above ground or 1,000 gallon underground approved containers.

(109) Section 6107.4 of the IFC, 2018 edition is hereby amended to read as follows:

6107.4 Protecting Containers from Vehicles. Where exposed to vehicular damage due to proximity to alleys, driveways or parking areas, LP-gas containers, regulators and piping shall be protected in accordance with Section 312.

(110) Section 6109.13 of the IFC, 2018 edition is hereby amended to read as follows and delete the Exception:

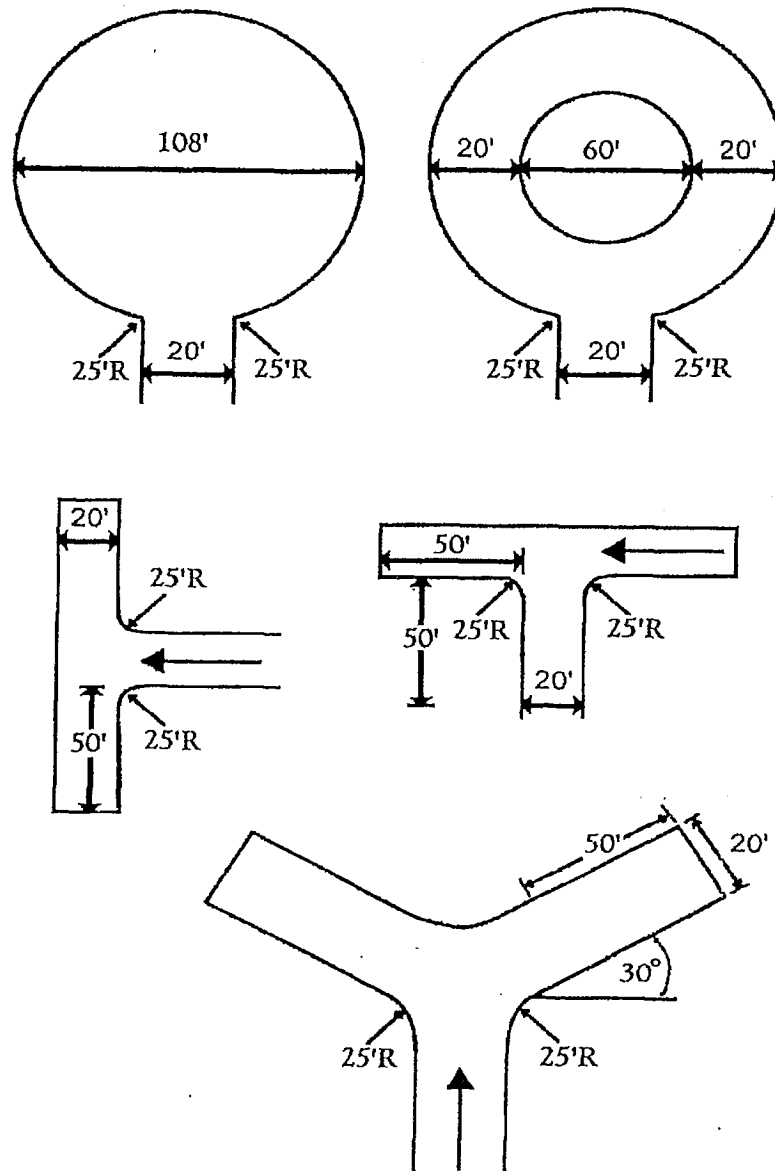
6109.13 Protection of Containers. LP-gas containers shall be stored within a suitable enclosure or otherwise protected against tampering. Vehicle impact protection shall be provided as required by Section 6107.4.

(111) Table B105.2, footnote a. of the IFC, 2018 edition is hereby amended to read as follows:

- a. The reduced fire-flow shall be not less than 1,500 gallons per minute.

(112) Appendix Figure 503.2.5 of the IFC, 2018 edition is hereby amended to look as follows:

Figure 503.2.5



**SECTION 4.
CUMULATIVE CLAUSE**

This Ordinance shall be cumulative of all provisions of all other ordinances of the City of Lake Worth, Texas except where the provisions of this Ordinance are in direct conflict with the provisions of such ordinances, in which event the conflicting provisions of such ordinances are hereby repealed.

**SECTION 5.
PENALTY CLAUSE**

Any person, firm or corporation who violates, disobeys, omits, neglects or refuses to comply with or who resists the enforcement of any of the provisions of this Ordinance shall be fined not more than Two Thousand Dollars (\$2,000.00) for each offense. Each day that a violation is permitted to exist shall constitute a separate offense.

**SECTION 6.
SEVERABILITY CLAUSE**

It is hereby declared to be the intention of the City Council of the City of Lake Worth that the phrases, clauses, sentences, paragraphs, and sections of this Ordinance are severable, and if any phrase, clause, sentence, paragraph or section of this Ordinance shall be declared invalid or unconstitutional by the valid judgment or decree of any court of competent jurisdiction, such invalidity or unconstitutionality shall not affect any of the remaining phrases, clauses, sentences, paragraphs and sections of this Ordinance, since the same would have been enacted by the City Council without the incorporation in this ordinance of any such unconstitutional phrase, clause, sentence, paragraph or section.

**SECTION 7.
SAVINGS CLAUSE**

All rights or remedies of the City of Lake Worth, Texas are expressly saved as to any and all violations of the provisions of any ordinance affecting zoning or land use, which have accrued at the time of the effective date of this Ordinance; and as to such accrued violations and all pending litigation, both civil and criminal, whether pending in court or not, under such Ordinances, same shall not be affected by this Ordinance but may be prosecuted until final disposition by the Courts.

**SECTION 8.
ENGROSSMENT AND ENROLLMENT**

The City Secretary of the City of Lake Worth is hereby directed to engross and enroll this Ordinance by copying the caption, publication clause and effective date clause in the minutes of the City Council and by filing the Ordinance in the Ordinance Records of the City.

**SECTION 9.
PUBLICATION**

The City Secretary of the City of Lake Worth is hereby directed to publish in the official newspaper of the City of Lake Worth, the caption, the penalty clause, publication clause, and effective date clause of this ordinance two (2) days as authorized by Section 52.013 of the Local Government Code.

**SECTION 10.
EFFECTIVE DATE**

This Ordinance shall be in full force and effect from and after its passage and publication as required by law, and it is so ordained.

PASSED AND APPROVED on 13th day of August, 2019.

CITY OF LAKE WORTH

By: Walter Bowen
Walter Bowen, Mayor

ATTEST:

Monica Solko
Monica Solko, City Secretary

APPROVED AS TO FORM AND LEGALITY:

Drew Larkin
Drew Larkin, City Attorney